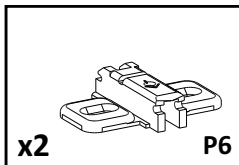
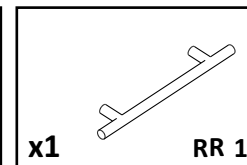
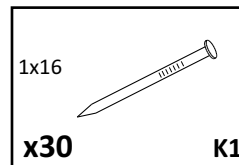
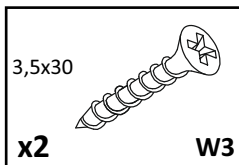
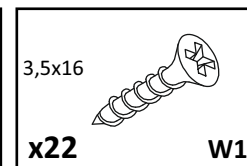
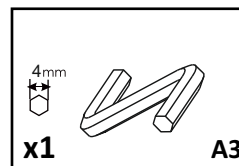
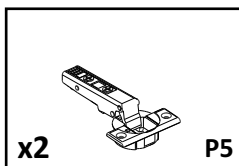
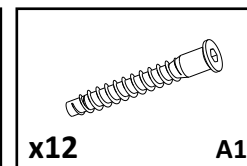
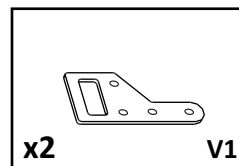
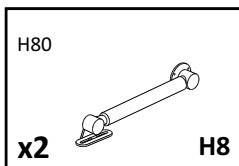
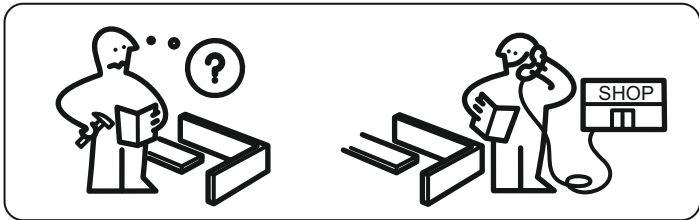
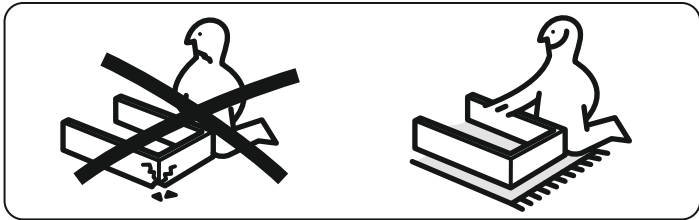
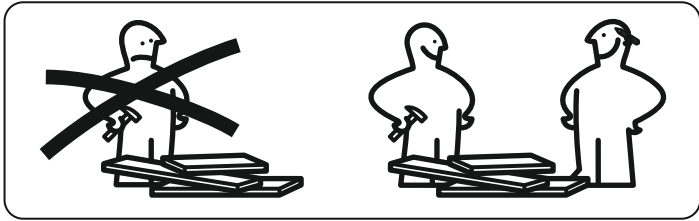
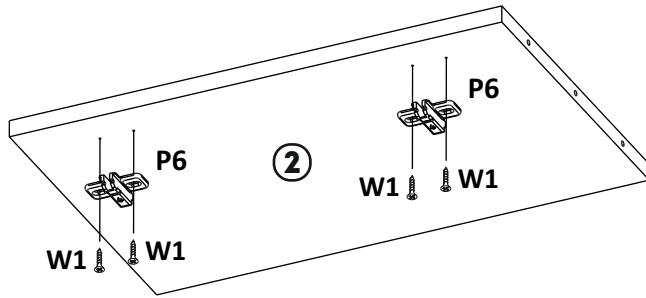
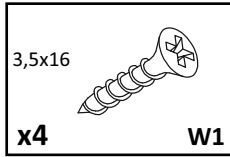
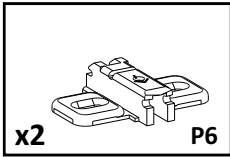
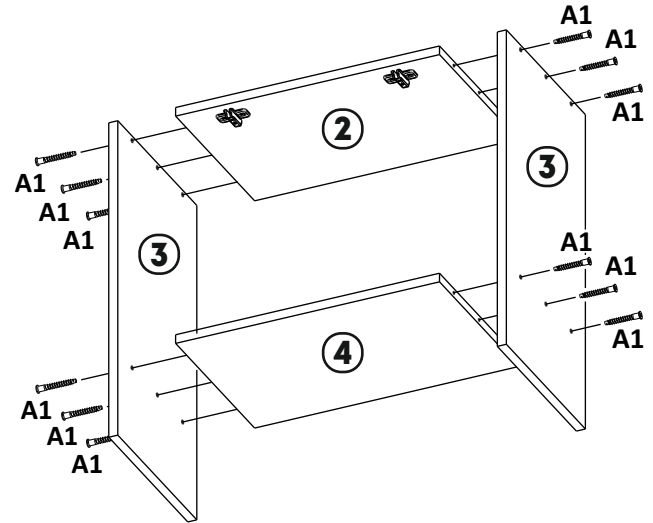
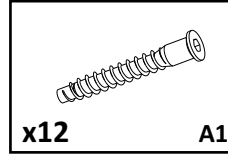


No	a*b	X
1	566x298	2
2	568x301	1
3	571x301	2
4	568x301	1
5	568x598	1

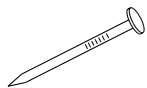




1**2**

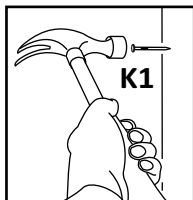
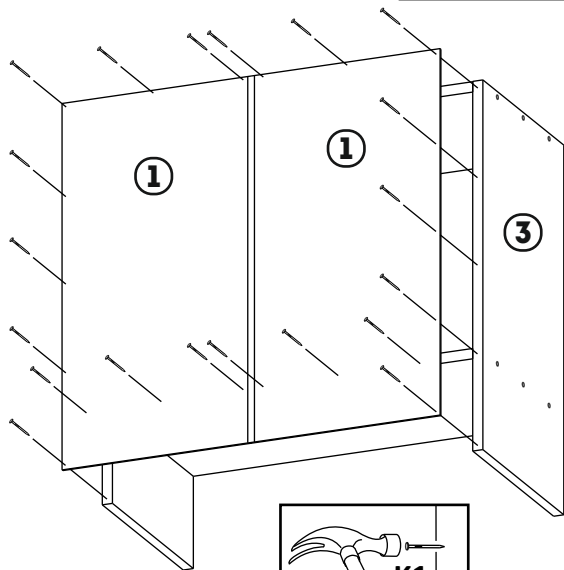
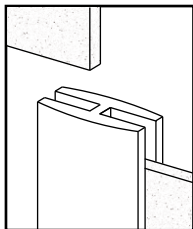
3

1x16



x30

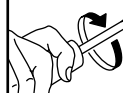
K1



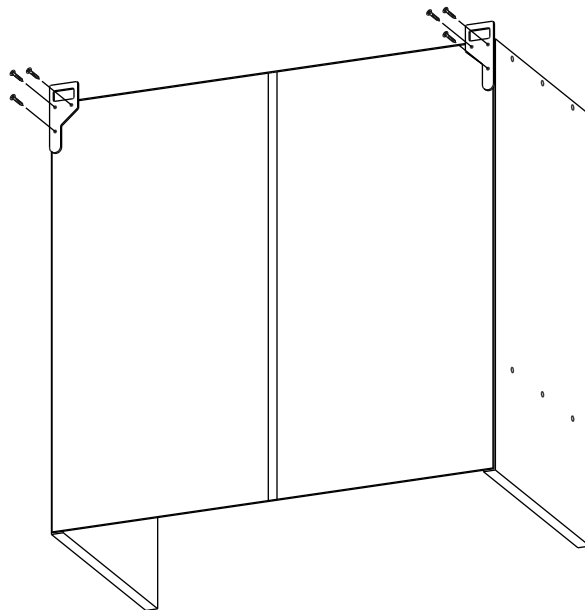
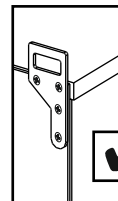
K1

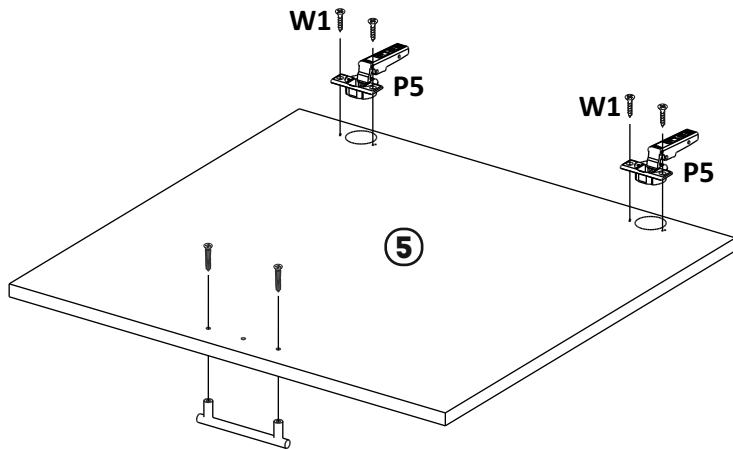
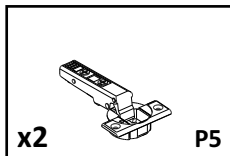
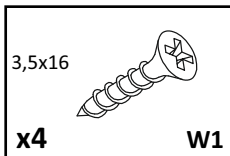
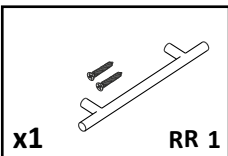
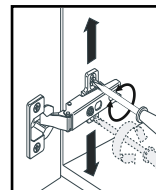
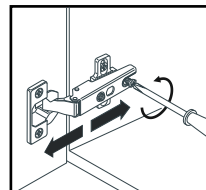
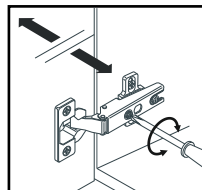
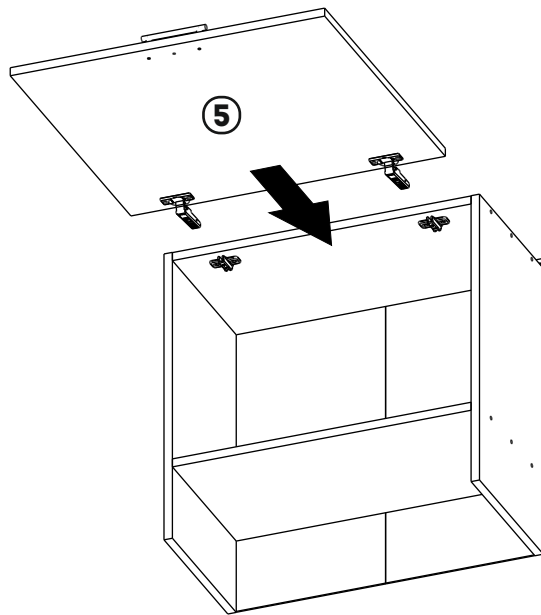
4

W1 (x3)
W3 (x1)



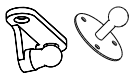
V1



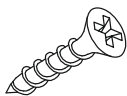
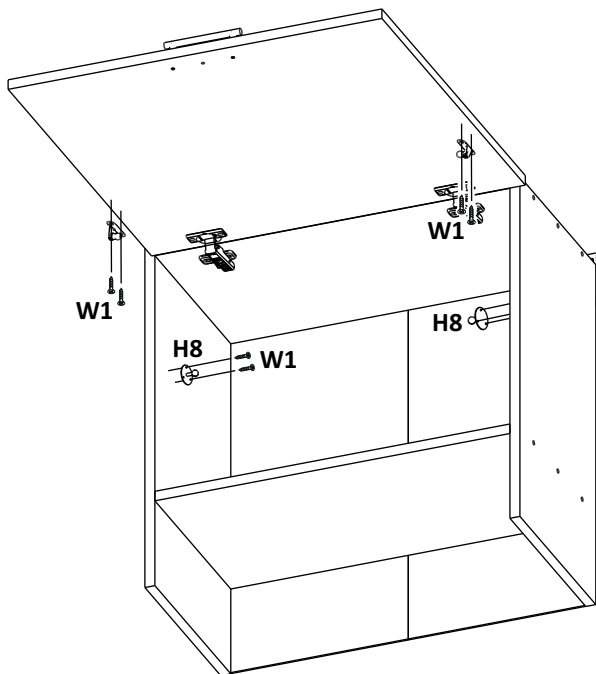
5**6**

7

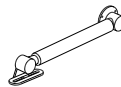
H80

**x2****H8**

3,5x16

**x10****W1****8**

H80

**x2****H8**